

Top Mounting DTT Series

1200 - 14000 BTU/H



Description

- Designed for top mounting where space limitations do not allow side mounting on the enclosure surface.
- Closed loop cooling ensures clean enclosure air is recirculated without ever mixing with contaminated ambient air.
- Excellent security level due to patented condensate management system, which prevents condensate from penetrating the enclosure.
- High reliability and long maintenance intervals
- Quick release mounting frame

Features

- R134a refrigerant.
- Thermostat control accessible from inside enclosure.
- Hot gas bypass valve prevents evaporator freeze up while minimizing heavy inrush currents on large BTU/H units.
- Built in condensate evaporator.
- Continuous air circulation from high capacity fans.
- EMI/RFI suppression meets CE.
- Self-diagnostics on startup.
- Fault indication via LED light.
- Provision for door contact allowing power down when enclosure door is opened.
- Gasket, mounting kit and template for enclosure cutout and drilling are included.
- Condensate drain hose and clamp provided.

Standards

- Maintains NEMA 12 rating
- IP 54
- UR, cUR and CE

Accessories

- Remote door switch...see page 452
- Quick installation frame
...see next page

Climate Control

	DTT6101A115LG	DTT6101A230LG	DTT6201A115LG	DTT6201A230LG	DTT6201A460LG
Cooling Capacity (BTU)	1700	1700	3500	3500	3500
Rated Voltage +/- 10%	115	230	115	230	400/460
Frequency	50/60 Hz	50/60 Hz	50/60 Hz	50/60 Hz	50/60 Hz
Power Consumption (W)	569	458/532	877	663/805	706/845
Running Amps	5.2	2.2/2.4	8.05	3.39/3.83	1.5/1.8
Starting Current (A)	23			8.5/9.3	

	DTT6301A115LG	DTT6301A230LG	DTT6301A460LG	DTT6401A115LG	DTT6401A230LG	DTT6401A460LG
Cooling Capacity (BTU)	5100	5100	5100	6800	6800	6800
Rated Voltage +/- 10%	115	230	400/460	115	230	400/460
Frequency	50/60 Hz	50/60 Hz	50/60 Hz	50/60 Hz	50/60 Hz	50/60 Hz
Power Consumption (W)	1027	980/1140	962/1150	1894	1049/1275	1300/1598
Running Amps	10.8	6.3/6.4	3.1/3.2	15.5	5.1/5.5	2.3/2.4
Starting Current (A)	32	19.7	9.8	34	16.8	10/12

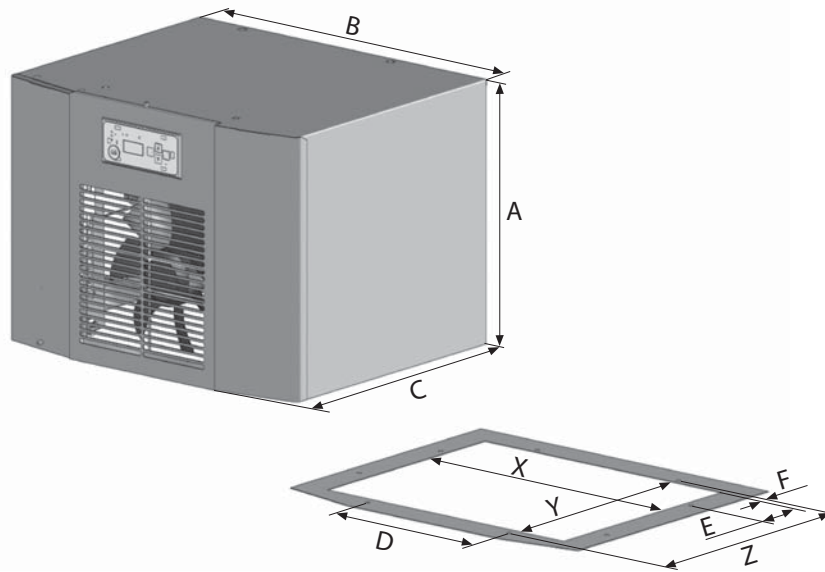
	DTT6601A460LG	DTT6801A460LG
Cooling Capacity (BTU)	10,000	13,600
Rated Voltage +/- 10%	400/460	400/460
Frequency	50/60 Hz	50/60 Hz
Power Consumption (W)	1700/2100	1618/2050
Running Amps	2.45/2.49	3.4/3.5
Starting Current (A)	8.9/9.9	17.1/19.5

All Models	
Electrical Connection	Terminal Block with Plug
Min/Max Ambient Temp	+59...+131 F / +15...+55 C
Exterior Case	Galvanized Sheet Steel Color RAL 7035 Powder Finish

All dimensions in inches unless specified otherwise

Top Mounting DTT Series

1200 - 14000 BTU/H



Part Number	inches (mm)										Ship Wt. Lbs.
	A	B	C	D	E	F	X	Y	Z		
DTT6101A115LG	17.0 (434)	23.4 (595)	15.6 (395)	11.5 (292)	3.3 (85)	.55 (14)	18.7 (475)	10.2 (270)	11.9 (303)	80	
DTT6101A230LG	17.0 (434)	23.4 (595)	15.6 (395)	11.5 (292)	3.3 (85)	.55 (14)	18.7 (475)	10.2 (270)	11.9 (303)	80	
DTT6201A115LG	17.0 (434)	23.4 (595)	15.6 (395)	11.5 (292)	3.3 (85)	.55 (14)	18.7 (475)	10.2 (270)	11.9 (303)	85	
DTT6201A230LG	17.0 (434)	23.4 (595)	15.6 (395)	11.5 (292)	3.3 (85)	.55 (14)	18.7 (475)	10.2 (270)	11.9 (303)	85	
DTT6201A460LG	17.0 (434)	23.4 (595)	15.6 (395)	11.5 (292)	3.3 (85)	.55 (14)	18.7 (475)	10.2 (270)	11.9 (303)	99	
DTT6301A115LG	17.1 (435)	23.4 (595)	19.5 (495)	11.5 (292)	10.1 (256)	.45 (11.5)	19.5 (495)	15.6 (395)	16.5 (418)	97	
DTT6301A230LG	17.1 (435)	23.4 (595)	19.5 (495)	11.5 (292)	10.1 (256)	.45 (11.5)	19.5 (495)	15.6 (395)	16.5 (418)	109	
DTT6301A460LG	17.1 (435)	23.4 (595)	19.5 (495)	11.5 (292)	10.1 (256)	.45 (11.5)	19.5 (495)	15.6 (395)	16.5 (418)	122	
DTT6401A115LG	17.1 (435)	23.4 (595)	19.5 (495)	11.5 (292)	10.1 (256)	.45 (11.5)	19.5 (495)	15.6 (395)	16.5 (418)	107	
DTT6401A230LG	17.1 (435)	23.4 (595)	19.5 (495)	11.5 (292)	10.1 (256)	.45 (11.5)	19.5 (495)	15.6 (395)	16.5 (418)	111	
DTT6401A460LG	17.1 (435)	23.4 (595)	19.5 (495)	11.5 (292)	10.1 (256)	.45 (11.5)	19.5 (495)	15.6 (395)	16.5 (418)	123	
DTT6601A460LG	19.1 (485)	31.3 (795)	22.6 (575)	13.4 (340)	7.9 (200)	.55 (14)	27.2 (692)	15.4 (392)	16.5 (420)	182	
DTT6801A460LG	19.1 (485)	31.3 (795)	22.6 (575)	13.4 (340)	7.9 (200)	.55 (14)	27.2 (692)	15.4 (392)	16.5 (420)	187	

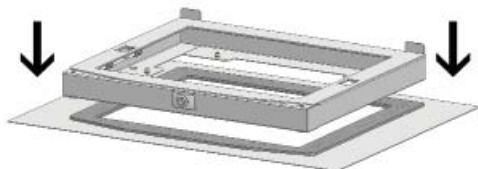
Mounting holes \varnothing 8 mm

For exact cutout information reference drilling template.

Quick Installation Frame

- Simple install and removal of AC for transport
- Maintains NEMA 12 Seal & Enclosure

Frame Part Number	Use with Models	Ship Wt. (lbs)
DTT61016202LG	DTT 6101 / DTT6201	14
DTT63016401LG	DTT 6301 / DTT 6401	14
DTT66016801LG	DTT 6601 / DTT 6801	18



All dimensions in inches unless specified otherwise